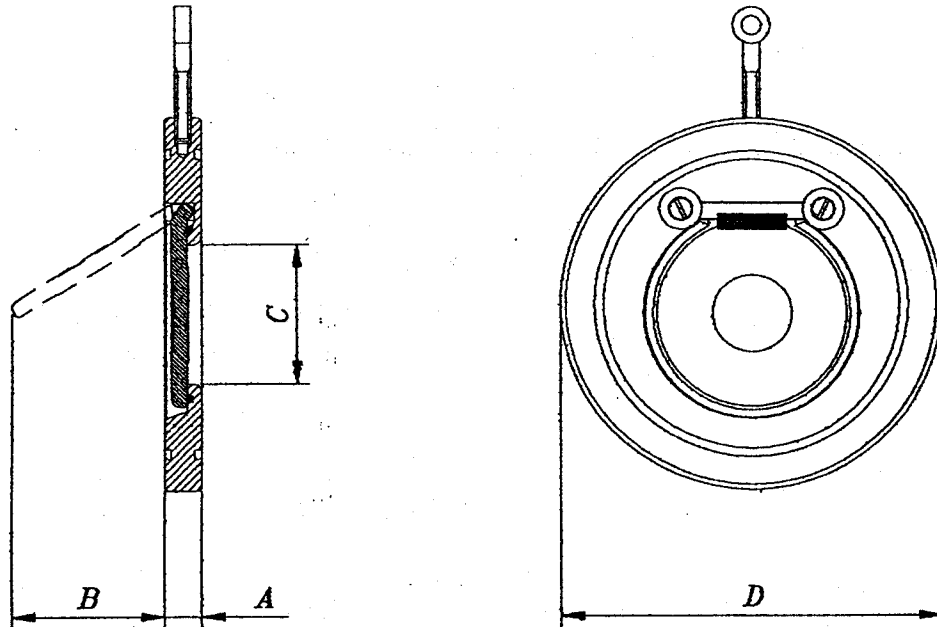


ASTEC klaff tilbakeslagsventil uten fjær

"CV"



DN MM INCH	A	B	C	D PN 6	D PN 10	D PN 16	D PN 25	D ANSI 150	WT Kg PN 10
32 1 1/4	14	20	17	78	84	84	84	76	0.6
40 1 1/2	14	30	22	88	95	95	95	86	0.7
50 2	14	35	32	98	109	109	109	105	0.9
65 2 1/2	14	48	40	118	129	129	129	124	1.2
80 3	14	60	54	134	144	144	144	137	1.5
100 4	18	78	70	154	164	164	170	175	2.4
125 5	18	98	92	184	195	195	198	197	3.4
150 6	20	117	112	209	220	220	228	222	4.6
200 8	22	160	154	264	275	275	285	279	7.5
250 10	26	200	200	319	330	332	343	339	13.1
300 12	32	235	240	375	380	387	403	409	20.4
350 14	38	258	270	425	440	447	460	450	32.0
400 16	44	300	310	475	490	495	517	514	48.0
450 18	50	331	360	530	540	557	567	548	63.0
500 20	56	268	405	580	595	617	624	605	87.0
600 24	62	435	486	680	695	734	731	715	130.0

Minimum åpningstrykk (mbar)

DN	DN 32 : DN 150	DN 200 : DN 400	DN 400 : DN 600
Flow Direction			
Horizontal Open 10° →	3	3	6
Horizontal Open 30° →	9	12	16
Horizontal Open 60° →	13	19	26
Vertical Uphill ↑	16	22	32
Vertical Downhill ↓	it is not possible to use valve mounted in this position.		

Lagerføres i Oslo : Dim. f.o.m. DN 50 t.o.m. DN 200 med EPDM gummitetting

Astec A.S.

Nils Hansens vei 2
Postboks 12 Bryn, 0611 Oslo
Tlf. 22 72 23 55 Fax. 22 72 38 19