

# AFA Spjeldventil, rillet med håndspak

Rillet spjeldventil for Varme/Kjøleanlegg. Levert av

*Astec A.S.*

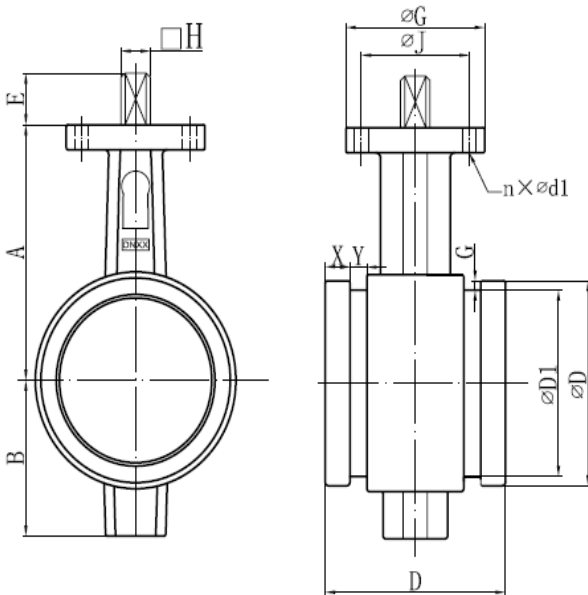
## Groove End Butterfly Valve (H. Lever)

Size	Weight (kg)
DN50	1.2
DN65	2.4
DN80	3.5
DN100	5
DN125	7.6
DN150	13.6
DN200	15.5
DN250	27.8
DN300	34.5



## Material Table

S/NO	PART NAME	MATERIAL
1	Body	Cast Iron
2	Disc	Ductile Iron With EPDM
3	Shaft	SS416



## Dimension Table

SIZE	A	B	D	E	□H	ØG	ØJ	n×Ød1	X	Y	ØD	ØD1	G
	±1	±1	±1	±1	±1	±1	±1	±1	±0.5	±0.5	±0.5	±0.5	±0.5
DN50	104	63	81.5	26	9×9	65	50	4×Ø7	15.87	8.74	60.33	57.13	1.6
DN65	109	69	95.8	26	9×9	65	50	4×Ø7	15.87	8.74	76.1	72.14	1.98
DN80	123	82	95.8	26	9×9	65	50	4×Ø7	15.88	8.74	88.9	84.94	1.98
DN100	134	97	117.6	26	11×11	65	50	4×Ø7	15.88	8.74	114.3	110.08	2.11
DN125	203	108	149.4	32	14×14	90	70	4×Ø9	15.88	8.74	139.7	135.48	2.11
DN150	222	137	149.4	32	14×14	90	70	4×Ø9	15.88	8.74	168.28	163.96	2.16
DN200	245	160	135.4	37	17×17	125	102	4×Ø11	19.1	11.91	219.1	214.42	2.34
DN250	280	187	162.6	39	22×22	150	125	4×Ø13	19.1	11.91	273.05	268.27	2.39
DN300	310	212	165.1	39	27×27	150	125	4×Ø13	19.1	11.91	323.85	318.3	2.77